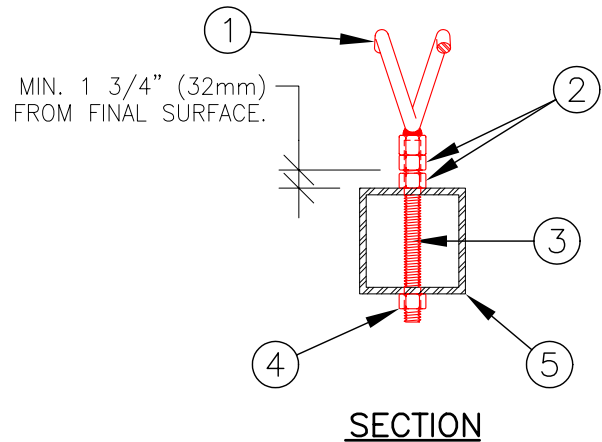
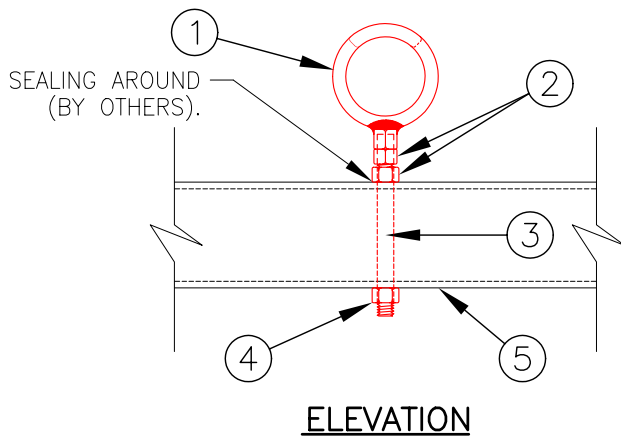




- TYPE G, GENERIC DETAIL FOR STAINLESS STEEL

"THRU-BOLT" ROPE GUIDE

MODEL # GST-8100-1



ATLAS ANCHOR SYSTEMS

DESCRIPTION:

1. STAINLESS STEEL SPIRAL ROD WELDED TO STAINLESS STEEL COUPLER HEX NUT.
2. STAINLESS STEEL DOUBLE LOCKING HEX NUTS.
3. STAINLESS STEEL THREADED ROD INSERT.
4. STAINLESS STEEL LOCKING HEX NUT.
5. BUILDING STRUCTURE, DESIGNED & REINFORCED BY OTHERS.

REQUIREMENT:

1. THAT ROPE GUIDES OR LINE STOPS BE DESIGNED FOR ALL LOADS AND FORCES THEY MAY BE SUBJECTED TO.
2. ROPE GUIDES AND ROPE STOP DEVICES ARE FOR REDIRECTING ROPES TO DROP LOCATIONS, NOT FOR DIRECT ATTACHMENT.

Note: This document does not, in whole nor in part, constitute any direction or instruction to any contractor with regard to construction means, methods, or techniques.

Note: This document does not constitute any direction or instruction to any contractor to proceed from the owner/client. The owner/client exclusively shall be liable for any payments properly due to any contractor.