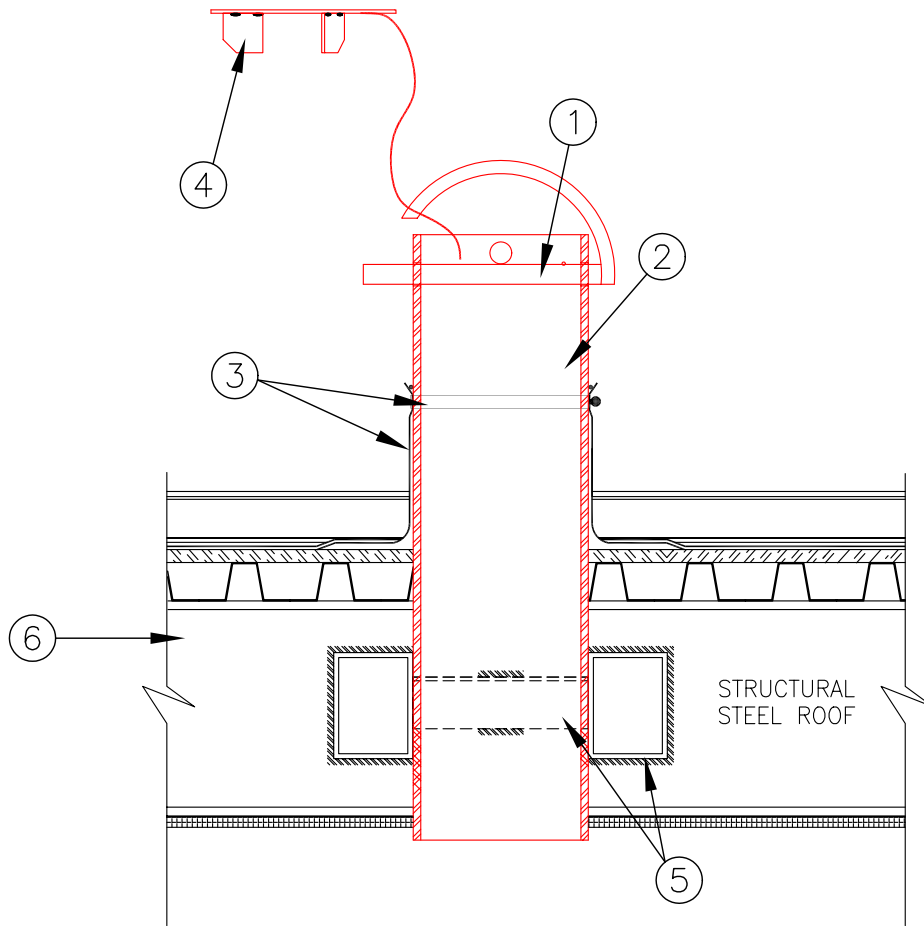




- TYPE H, GENERIC DETAIL FOR GALVANIZED

"WELD-IN-PLACE" HOLE SLEEVE (DUAL e-Bar)

MODEL # HSW-6100-WR(D)



ATLAS ANCHOR SYSTEMS

DESCRIPTION:

1. PORTABLE e-Bar ANCHOR POINT (OPTIONAL).
2. GALVANIZED 'WELD-IN-PLACE' HOLE SLEEVE PIPE.
3. FLASHING AND SEALING BY OTHERS.
4. ALUMINUM CAP (OPTIONAL).
5. WELDED REINFORCING AND STEEL BRACING (BY OTHERS).
6. STRUCTURAL STEEL ROOF.

BASIC CODE REQUIREMENTS:

1. RATED SAFE WORKING LOAD 1,000lbs. (4.4kN) AND AN ULTIMATE LOAD 5,000lbs. (22kN) WITHOUT FAILURE IN ANY DIRECTION (CAL.O.S.H.A.).
2. MEETS THE CURRENT REQUIREMENTS OF CAN/C.S.A STANDARD Z91-02.
3. MEETS THE CURRENT REQUIREMENTS OF FEDERAL O.S.H.A. STANDARD 1910.66.

Note: This document does not, in whole nor in part, constitute any direction or instruction to any contractor with regard to construction means, methods, or techniques.

Note: This document does not constitute any direction or instruction to any contractor to proceed from the owner/client. The owner/client exclusively shall be liable for any payments properly due to any contractor.